

Guideline

VOSS DELFOR EDIFACT D.97A; 2.0

Druckdatum: 03.09.2020
Autor: VOSS

Message structure	2
Message structure diagram.....	4
Segment description.....	10
Example message	51
Change log.....	53

Structure / Content

Nr	Bez	St	MaxWdh	Level	Content
1	UNA	R	1	0	Separator default
2	UNB	M	1	0	User data header segment
3	UNH	M	1	0	Message header segment
4	BGM	M	1	0	Delivery schedule number new
5	DTM	M	1	1	Delivery schedule date
	SG2	R	1	1	Information about the buyer
6	NAD	M	1	1	Customer
	SG2	R	1	1	Supplier
7	NAD	M	1	1	Supplier
	SG6	R	9999	1	Delivery schedule
8	GIS	M	1	1	General indicator
	SG7	R	1	2	Delivery address
9	NAD	M	1	2	Name and address
	SG12	R	9999	2	Detailed information
10	LIN	M	1	2	Part number Buyer
11	PIA	R	10	3	Additional product identification
12	LOC	R	1	3	Unloading point
13	LOC	O	1	3	Point of use
14	LOC	O	1	3	Plant
	SG13	R	1	3	Order number
15	RFF	M	1	3	Reference document
	SG13	R	1	3	Delivery schedule number new
16	RFF	M	1	3	Reference data
17	DTM	O	1	4	Delivery schedule date
	SG13	O	1	3	Delivery schedule number old
18	RFF	M	1	3	Reference data
	SG15	O	1	3	Delivery note quantity
19	QTY	M	1	3	Delivery note quantity
	SG16	O	1	4	Delivery note number
20	RFF	M	1	4	Delivery note number
21	DTM	O	1	5	Delivery note date
	SG15	O	1	3	Cumulative quantity received
22	QTY	M	1	3	Cumulative quantity received
23	DTM	O	1	4	Start date of cumulated quantity received
	SG15	O	1	3	Cumulative ordered quantity
24	QTY	M	1	3	Cumulative ordered quantity
25	DTM	O	1	4	Start date cumulated ordered quantity
	SG15	O	1	3	Backlog quantity
26	QTY	M	1	3	Backlog quantity
	SG17	O	999	3	Dates of the day
27	SCC	M	1	3	Scheduling conditions
	SG18	R	999	4	Quantity – Date
28	QTY	M	1	4	Quantity
29	DTM	R	1	5	Delivery date
	SG17	O	999	3	Production and material release

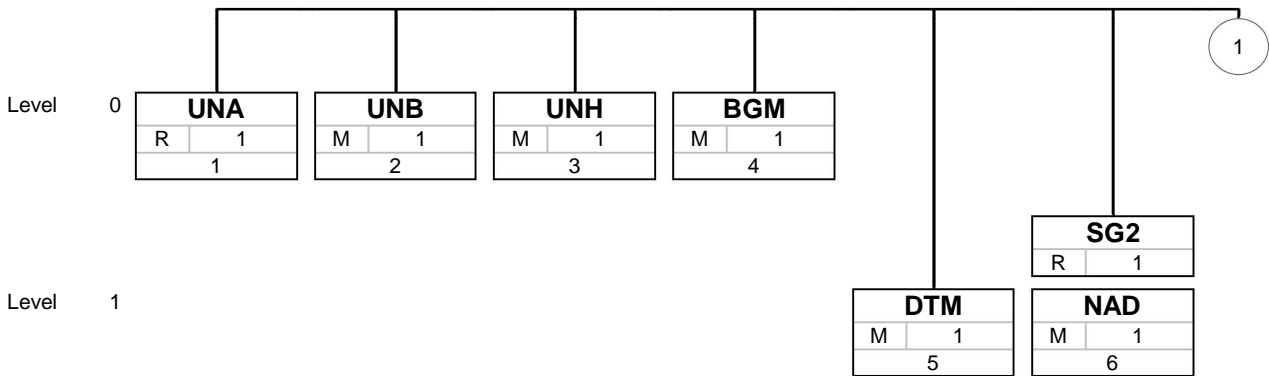
Bez = Segment/Group Identifier; Nr = Consecutive segment number in the guide; MaxWdh = Maximum repetition of segments/groups;
 St = Status: M=Mandatory, C=Conditional, R=Required, O=Optional, D=Depending on/Dependent, A=Advised,
 N=Not used

Structure / Content

Nr	Bez	St	MaxWdh	Level	Content
30	SCC	M	1	3	Production and material release
	SG18	R	999	4	Quantity to be delivered
31	QTY	M	1	4	Quantity
32	DTM	R	1	5	Production release (date/time)
	SG17	O	999	3	Material release
33	SCC	M	1	3	Material release
	SG18	R	999	4	Quantity to be delivered
34	QTY	M	1	4	Quantity
35	DTM	R	1	5	Material release (date/time)
	SG17	O	999	3	Flexible dates
36	SCC	M	1	3	Flexible dates
	SG18	R	999	4	Delivery quantity
37	QTY	M	1	4	Delivery quantity
38	DTM	R	1	5	Date from
39	DTM	R	1	5	Date to
40	UNT	M	1	0	Message end segment
41	UNZ	M	1	0	User data end segment

Bez = Segment/Group Identifier; Nr = Consecutive segment number in the guide; MaxWdh = Maximum repetition of segments/groups;
 St = Status: M=Mandatory, C=Conditional, R=Required, O=Optional, D=Depending on/Dependent, A=Advised,
 N=Not used

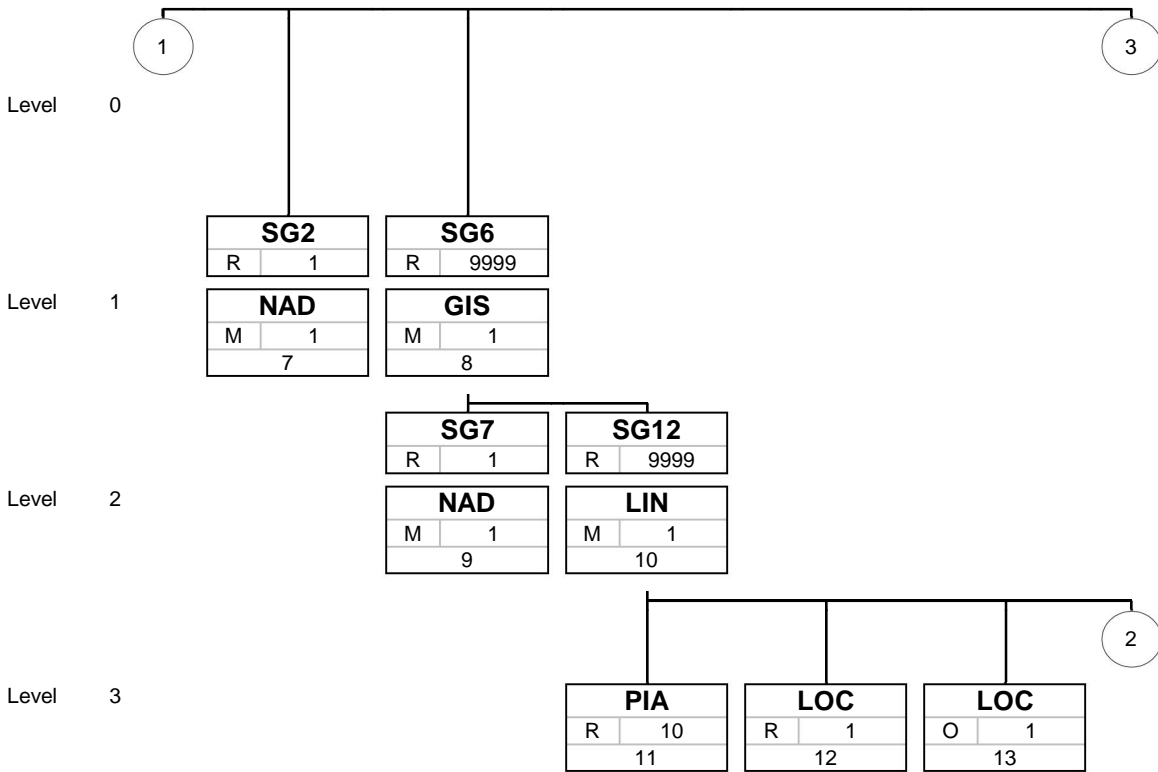
Message structure diagram of used segments/groups



Bez
St MaxWdh
Nr

Bez = Segment/Group Identifier
 St = Status (M = Mandatory, C = Conditional, R = Required, O = Optional, D = Depending on/Dependent, A = Advised)
 MaxWdh = Maximum repetition of segments/groups; Nr = Consecutive segment number in the guide

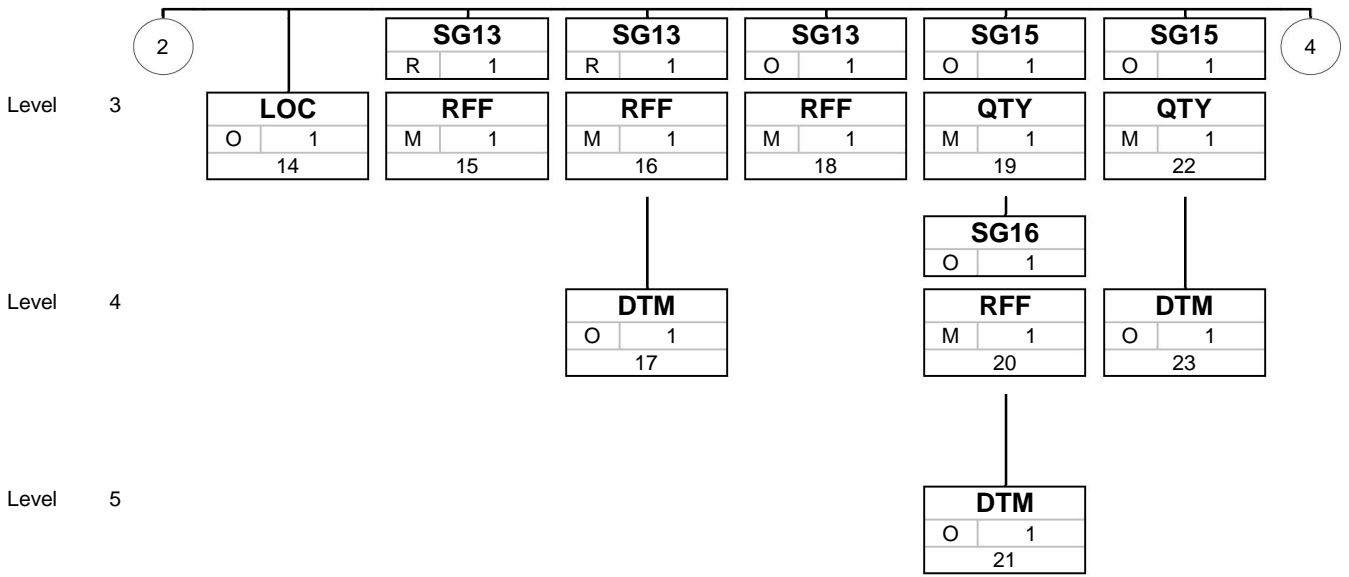
Message structure diagram of used segments/groups



Bez
St MaxWdh
Nr

Bez = Segment/Group Identifier
 St = Status (M = Mandatory, C = Conditional, R = Required, O = Optional, D = Depending on/Dependent, A = Advised)
 MaxWdh = Maximum repetition of segments/groups; Nr = Consecutive segment number in the guide

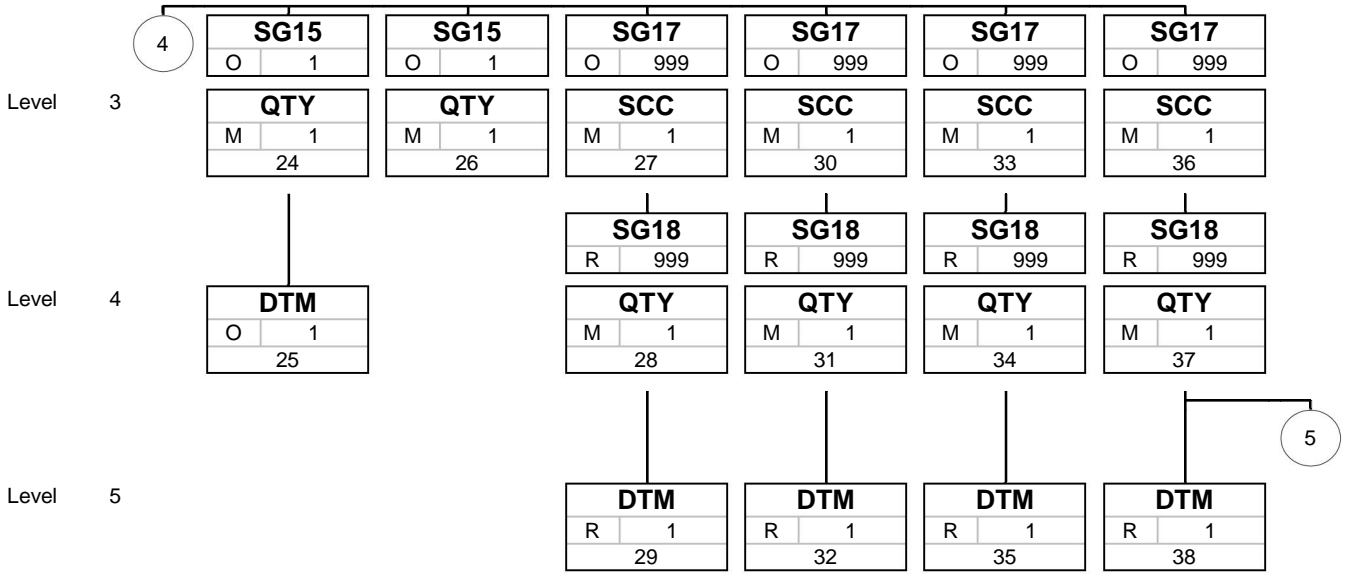
Message structure diagram of used segments/groups



Bez
St MaxWdh
Nr

Bez = Segment/Group Identifier
 St = Status (M = Mandatory, C = Conditional, R = Required, O = Optional, D = Depending on/Dependent, A = Advised)
 MaxWdh = Maximum repetition of segments/groups; Nr = Consecutive segment number in the guide

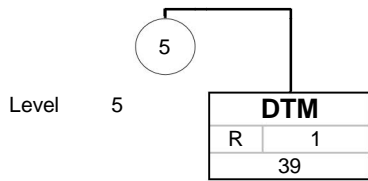
Message structure diagram of used segments/groups



Bez
St MaxWdh
Nr

Bez = Segment/Group Identifier
 St = Status (M = Mandatory, C = Conditional, R = Required, O = Optional, D = Depending on/Dependent, A = Advised)
 MaxWdh = Maximum repetition of segments/groups; Nr = Consecutive segment number in the guide

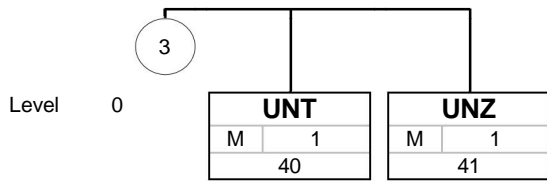
Message structure diagram of used segments/groups



Bez
St MaxWdh
Nr

Bez = Segment/Group Identifier
 St = Status (M = Mandatory, C = Conditional, R = Required, O = Optional, D = Depending on/Dependent, A = Advised)
 MaxWdh = Maximum repetition of segments/groups; Nr = Consecutive segment number in the guide

Message structure diagram of used segments/groups



Bez
St MaxWdh
Nr

Bez = Segment/Group Identifier
 St = Status (M = Mandatory, C = Conditional, R = Required, O = Optional, D = Depending on/Dependent, A = Advised)
 MaxWdh = Maximum repetition of segments/groups; Nr = Consecutive segment number in the guide

Segments

Counter	Nr	Bez	St	MaxWdh	Level	Name
---------	----	-----	----	--------	-------	------

0000	1	UNA	R	1	0	Separator default
------	---	------------	---	---	---	-------------------

Standard			Implementation	
Bez	Name	St Format	St Format	Application / Remark
UNA				
UNA1	Group data element Separator	M an1	M an1	: Colon
UNA2	Segment identifier and Data element separator	M an1	M an1	+ Plus sign
UNA3	Decimal point	M an1	M an1	. Dot
UNA4	Escape symbol (enabling sign)	M an1	M an1	? Question mark
UNA5	Reserved for later Use	M an1	M an1	Space
UNA6	Segment end mark	M an1	M an1	' Apostrophy

Comment:

Example:

UNA : + . ? '

Bez = Segment/Group Identifier; Nr = Consecutive segment number in the guide; MaxWdh = Maximum repetition of segments/groups;
 St = Status: M=Mandatory, C=Conditional, R=Required, O=Optional, D=Depending on/Dependent, A=Advised,
 N=Not used

Segments

Counter	Nr	Bez	St	MaxWdh	Level	Name
0000	2	UNB	M	1	0	User data header segment

Standard			Implementation	
Bez	Name	St Format	St Format	Application / Remark
UNB				
S001	Syntax identifier	M	M	
0001	Syntax ID	M a4	M a4	UNOC UN/ECE character set C Specification of the syntax identifier and the character set used.
0002	Syntax version number	M n1	M n1	3 Version 3 Specifies the syntax version used.
S002	Sender of the Transmission file	M	M	
0004	Sender name	M an..35	M an..35	Sender
0007	Participant name, Qualifier	C an..4	N	Not used
0008	Address for return path	C an..14	N	Not used
S003	Recipient of the transmission file	M	M	
0010	Receiver name	M an..35	M an..35	Receiver
0007	Participant name, Qualifier	C an..4	N	Not used
0014	Forwarding address	C an..14	N	Not used
S004	Date/time of creation	M	M	
0017	Creation date	M n6	M n6	YYMMDD Format
0019	Creation time	M n4	M n4	HHMM Format
0020	Data exchange reference	M an..14	M an..5	Specification of a unique reference to identify the Transmission file, assigned by the sender.
S005	Reference/Password of the Recipient	C	N	
0022	Reference or password of the Recipient	M an..14	N	Not used
0025	Reference or password of the Recipient, Qualifier	C an2	N	Not used
0026	Application Reference	C an..14	R an..14	DELFOR Delivery call-off/plan
0029	Processing priority, code	C a1	N	Not used
0031	Confirmation request	C n1	N	Not used
0032	Exchange agreement identifier	C an..35	N	Not used
0035	Test indicator	C n1	N	Not used

Comment:

Example:

UNB+UNOC:3+SENDER+RECEIVER+200912:1515+12345++DELFOR'

Bez = Segment/Group Identifier; Nr = Consecutive segment number in the guide; MaxWdh = Maximum repetition of segments/groups;
St = Status: M=Mandatory, C=Conditional, R=Required, O=Optional, D=Depending on/Dependent, A=Advised,
N=Not used

Segments

Counter	Nr	Bez	St	MaxWdh	Level	Name
0010	3	UNH	M	1	0	Message header segment

Standard			Implementation	
Bez	Name	St Format	St Format	Application / Remark
UNH				
0062	Message reference number	M an..14	M an..14	Unique message reference of the sender Sequential number of the messages in the data exchange.
S009	Message identification	M	M	
0065	Message type identifier	M an..6	M an..6	Specifies the message type identifier. DELFOR Delivery call-off/plan
0052	Version number of the message type	M an..3	M an..3	Specifies the version of the message type. D Draft version/UN/EDIFACT Directory
0054	Release number of the message type	M an..3	M an..3	Specification of the version of the message-Directory. 97A Release 1997 - A
0051	Managing organization, coded	M an..2	M an..2	Identification of the organization that manages this message type. UN UNECE/TRADE/WP.4, United Nations Standard Messages (UNSM)
0057	Application code of the respective organisation	C an..6	N	Not used
0068	General assignment reference	C an..35	N	Not used
S010	Status of the transmission	C	N	
0070	Transmission sequence number	M n..2	N	Not used
0073	Indicator first/last message of a transmission	C a1	N	Not used

Comment:

Die Struktur UNH - UNT kann beliebig oft wiederholt werden.

Example:

UNH+1+DELFOR:D:97A:UN'

Bez = Segment/Group Identifier; Nr = Consecutive segment number in the guide; MaxWdh = Maximum repetition of segments/groups;
St = Status: M=Mandatory, C=Conditional, R=Required, O=Optional, D=Depending on/Dependent, A=Advised,
N=Not used

Segments

Counter	Nr	Bez	St	MaxWdh	Level	Name
0020	4	BGM	M	1	0	Delivery schedule number new

Standard			Implementation	
Bez	Name	St Format	St Format	Application / Remark
BGM				
C002	Documents/message name	C	R	
1001	Documents/message name, coded	C an..3	R an..3	241 Delivery schedule line
1131	Code list, qualifier	C an..3	N	Not used
3055	Responsible authority for the code maintenance, coded	C an..3	N	Not used
1000	Documents/message name	C an..35	N	Not used
C106	Documents/message identifier	C	R	
1004	Documents/message number	C an..35	R an..35	Message number, assigned by the sender (VOSS).
1056	Version	C an..9	N	Not used
1060	Revision number	C an..6	N	Not used
1225	Message function, coded	C an..3	O an..3	9 Original
4343	Type of response, coded	C an..3	N	Not used

Comment:

Example:

BGM+241+220+9'

Bez = Segment/Group Identifier; Nr = Consecutive segment number in the guide; MaxWdh = Maximum repetition of segments/groups;
 St = Status: M=Mandatory, C=Conditional, R=Required, O=Optional, D=Depending on/Dependent, A=Advised,
 N=Not used

Segments

Counter	Nr	Bez	St	MaxWdh	Level	Name
0030	5	DTM	M	1	1	Delivery schedule date

Standard			Implementation	
Bez	Name	St Format	St Format	Application / Remark
DTM				
C507	Date/time/period	M	M	
2005	Date/time/period, qualifier	M an..3	M an..3	137 Document/ message date/time
2380	Date/time/period	C an..35	R an..35	Delivery call-off date
2379	Date/time/period, format qualifier	C an..3	R an..3	102 YYYYMMDD

Comment:

Example:

DTM+137:20080907:102'

Bez = Segment/Group Identifier; Nr = Consecutive segment number in the guide; MaxWdh = Maximum repetition of segments/groups;
 St = Status: M=Mandatory, C=Conditional, R=Required, O=Optional, D=Depending on/Dependent, A=Advised,
 N=Not used

Segments

Counter	Nr	Bez	St	MaxWdh	Level	Name
0080		SG2	R	1	1	Information about the buyer
0090	6	NAD	M	1	1	Customer

Standard			Implementation	
Bez	Name	St Format	St Format	Application / Remark
NAD				
3035	Participant, Qualifier	M an..3	M an..3	BY Buyer
C082	Identification of the participant	C	R	
3039	Identification of the participant	M an..35	M an..35	Partner number
1131	Code list, Qualifier	C an..3	N	Not used
3055	Responsible authority for the Code maintenance, coded	C an..3	R an..3	91 Assigned by the seller
C058	name and address	C	N	
3124	Line for name and address	M an..35	N	Not used
3124	Line for name and address	C an..35	N	Not used
3124	Line for name and address	C an..35	N	Not used
3124	Line for name and address	C an..35	N	Not used
3124	Line for name and address	C an..35	N	Not used
C080	Name of the participant	C	N	
3036	Name of the participant	M an..35	N	Not used
3036	Name of the participant	C an..35	N	Not used
3036	Name of the participant	C an..35	N	Not used
3036	Name of the participant	C an..35	N	Not used
3036	Name of the participant	C an..35	N	Not used
3045	Name of the participant, Format, coded	C an..3	N	Not used
C059	Street	C	N	
3042	Street and house number/ PO Box	M an..35	N	Not used
3042	Street and house number/ PO Box	C an..35	N	Not used
3042	Street and house number/ PO Box	C an..35	N	Not used
3042	Street and house number/ PO Box	C an..35	N	Not used
3164	Location	C an..35	N	Not used
3229	Region/State, Identification	C an..9	N	Not used
3251	Postcode	C an..9	N	Not used
3207	Land, coded	C an..3	N	Not used

Comment:

Example:

NAD+BY+132080::91'

Bez = Segment/Group Identifier; Nr = Consecutive segment number in the guide; MaxWdh = Maximum repetition of segments/groups;
St = Status: M=Mandatory, C=Conditional, R=Required, O=Optional, D=Depending on/Dependent, A=Advised,
N=Not used

Segments

Counter	Nr	Bez	St	MaxWdh	Level	Name
0080		SG2	R	1	1	Supplier
0090	7	NAD	M	1	1	Supplier

Standard			Implementation	
Bez	Name	St Format	St Format	Application / Remark
NAD				
3035	Participant, Qualifier	M an..3	M an..3	SU Supplier
C082	Identification of the participant	C	R	
3039	Identification of the participant	M an..35	M an..35	Partner number
1131	Code list, Qualifier	C an..3	N	Not used
3055	Responsible authority for the Code maintenance, coded	C an..3	R an..3	92 Assigned by the buyer
C058	name and address	C	N	
3124	Line for name and address	M an..35	N	Not used
3124	Line for name and address	C an..35	N	Not used
3124	Line for name and address	C an..35	N	Not used
3124	Line for name and address	C an..35	N	Not used
3124	Line for name and address	C an..35	N	Not used
C080	Name of the participant	C	N	
3036	Name of the participant	M an..35	N	Not used
3036	Name of the participant	C an..35	N	Not used
3036	Name of the participant	C an..35	N	Not used
3036	Name of the participant	C an..35	N	Not used
3036	Name of the participant	C an..35	N	Not used
3045	Name of the participant, Format, coded	C an..3	N	Not used
C059	Street	C	N	
3042	Street and house number/ PO Box	M an..35	N	Not used
3042	Street and house number/ PO Box	C an..35	N	Not used
3042	Street and house number/ PO Box	C an..35	N	Not used
3042	Street and house number/ PO Box	C an..35	N	Not used
3164	Location	C an..35	N	Not used
3229	Region/State, Identification	C an..9	N	Not used
3251	Post code	C an..9	N	Not used
3207	Land, coded	C an..3	N	Not used

Comment:

Example:

NAD+SU+12345:::92'

Bez = Segment/Group Identifier; Nr = Consecutive segment number in the guide; MaxWdh = Maximum repetition of segments/groups;
St = Status: M=Mandatory, C=Conditional, R=Required, O=Optional, D=Depending on/Dependent, A=Advised,
N=Not used

Segments

Counter	Nr	Bez	St	MaxWdh	Level	Name
0190		SG6	R	9999	1	Delivery schedule
0200	8	GIS	M	1	1	General indicator

Standard			Implementation	
Bez	Name	St Format	St Format	Application / Remark
GIS				
C529	Processing indicator	M	M	
7365	Processing indicator, coded	M an..3	M an..3	Complete delivery schedule 37 Complete delivery schedule
1131	Code list, Qualifier	C an..3	N	Not used
3055	Responsible authority for the Code maintenance, coded	C an..3	N	Not used
7187	Process type, identification	C an..17	N	Not used

Comment:

Example:

GIS+37'

Bez = Segment/Group Identifier; Nr = Consecutive segment number in the guide; MaxWdh = Maximum repetition of segments/groups;
St = Status: M=Mandatory, C=Conditional, R=Required, O=Optional, D=Depending on/Dependent, A=Advised,
N=Not used

Segments

Counter	Nr	Bez	St	MaxWdh	Level	Name
0190		SG6	R	9999	1	Delivery schedule
0210		SG7	R	1	2	Delivery address
0220	9	NAD	M	1	2	Name and address

Standard			Implementation	
Bez	Name	St Format	St Format	Application / Remark
NAD				
3035	Participant, Qualifier	M an..3	M an..3	ST Delivery address
C082	Identification of the participant	C	R	
3039	Identification of the participant	M an..35	M an..35	internal number of the delivery address (assigned by the buyer)
1131	Code list, Qualifier	C an..3	N	Not used
3055	Responsible authority for the Code maintenance, coded	C an..3	R an..3	92 Assigned by the buyer or his agent
C058	name and address	C	N	
3124	Line for name and address	M an..35	N	Not used
3124	Line for name and address	C an..35	N	Not used
3124	Line for name and address	C an..35	N	Not used
3124	Line for name and address	C an..35	N	Not used
3124	Line for name and address	C an..35	N	Not used
C080	Name of the participant	C	O	
3036	Name of the participant	M an..35	M an..35	
3036	Name of the participant	C an..35	O an..35	
3036	Name of the participant	C an..35	N	Not used
3036	Name of the participant	C an..35	N	Not used
3036	Name of the participant	C an..35	N	Not used
3045	Name of the participant, Format, coded	C an..3	N	Not used
C059	Street	C	O	
3042	Street and house number/ PO Box	M an..35	M an..35	
3042	Street and house number/ PO Box	C an..35	N	Not used
3042	Street and house number/ PO Box	C an..35	N	Not used
3042	Street and house number/ PO Box	C an..35	N	Not used
3164	Location	C an..35	O an..35	
3229	Region/State, Identification	C an..9	N	Not used
3251	Post code	C an..9	O an..9	
3207	Land, coded	C an..3	O an..3	Country coded to ISO 3166-1

Comment:

Example:

NAD+ST+WPF::92++VOSS Automotive GmbH+Leiersmühle 2-6+Wipperfürth++51688+DE'

Bez = Segment/Group Identifier; Nr = Consecutive segment number in the guide; MaxWdh = Maximum repetition of segments/groups;
St = Status: M=Mandatory, C=Conditional, R=Required, O=Optional, D=Depending on/Dependent, A=Advised,
N=Not used

Segments

Counter	Nr	Bez	St	MaxWdh	Level	Name
0190		SG6	R	9999	1	Delivery schedule
0370		SG12	R	9999	2	Detailed information
0380	10	LIN	M	1	2	Part number Buyer

Standard			Implementation	
Bez	Name	St Format	St Format	Application / Remark
LIN				
1082	Position number	C an..6	N	Not used
1229	Request for action/- notification, coded	C an..3	N	Not used
C212	Goods/service number, Identification	C	R	
7140	Product/service number	C an..35	R an..35	Article number of the buyer
7143	Product/service number, Type, coded	C an..3	R an..3	IN Article number of the buyer
1131	Code list, Qualifier	C an..3	N	Not used
3055	Authority responsible for the Code maintenance, coded	C an..3	N	Not used
C829	Subitem information	C	N	
5495	Display for sub-item, coded	C an..3	N	Not used
1082	Position number	C an..6	N	Not used
1222	Configuration level	C n..2	N	Not used
7083	Subitem assignment, coded	C an..3	N	Not used

Comment:

Example:

LIN+++0907009972:IN'

Bez = Segment/Group Identifier; Nr = Consecutive segment number in the guide; MaxWdh = Maximum repetition of segments/groups;
St = Status: M=Mandatory, C=Conditional, R=Required, O=Optional, D=Depending on/Dependent, A=Advised,
N=Not used

Segments

Counter	Nr	Bez	St	MaxWdh	Level	Name
0190		SG6	R	9999	1	Delivery schedule
0370		SG12	R	9999	2	Detailed information
0390	11	PIA	R	10	3	Additional product identification

Standard			Implementation	
Bez	Name	St Format	St Format	Application / Remark
PIA				
4347	Product identification function, Qualifier	M an..3	M an..3	1 Additional identification
C212	Goods/service number, Identification	M	M	
7140	Product / service number	C an..35	R an..35	
7143	Product/service number, Type, coded	C an..3	R an..3	SA Article number of the supplier
1131	Code list, Qualifier	C an..3	N	Not used
3055	Authority responsible for the Code maintenance, coded	C an..3	N	Not used
C212	Goods/service number, Identification	C	N	
7140	Product / service number	C an..35	N	Not used
7143	Product/service number, Type, coded	C an..3	N	Not used
1131	Code list, Qualifier	C an..3	N	Not used
3055	Authority responsible for the Code maintenance, coded	C an..3	N	Not used
C212	Goods/service number, Identification	C	N	
7140	Product / service number	C an..35	N	Not used
7143	Product/service number, Type, coded	C an..3	N	Not used
1131	Code list, Qualifier	C an..3	N	Not used
3055	Authority responsible for the Code maintenance, coded	C an..3	N	Not used
C212	Goods/service number, Identification	C	N	
7140	Product / service number	C an..35	N	Not used
7143	Product/service number, Type, coded	C an..3	N	Not used
1131	Code list, Qualifier	C an..3	N	Not used
3055	Authority responsible for the Code maintenance, coded	C an..3	N	Not used
C212	Goods/service number, Identification	C	N	
7140	Product / service number	C an..35	N	Not used
7143	Product/service number, Type, coded	C an..3	N	Not used
1131	Code list, Qualifier	C an..3	N	Not used
3055	Authority responsible for the Code maintenance, coded	C an..3	N	Not used

Comment:

Example:

PIA+1+466000:SA'

Bez = Segment/Group Identifier; Nr = Consecutive segment number in the guide; MaxWdh = Maximum repetition of segments/groups;
 St = Status: M=Mandatory, C=Conditional, R=Required, O=Optional, D=Depending on/Dependent, A=Advised, N=Not used

Segments

Counter	Nr	Bez	St	MaxWdh	Level	Name
0190		SG6	R	9999	1	Delivery schedule
0370		SG12	R	9999	2	Detailed information
0450	12	LOC	R	1	3	Unloading point

Standard			Implementation	
Bez	Name	St Format	St Format	Application / Remark
LOC				
3227	Location, qualifier	M an..3	M an..3	11 Unloading point
C517	Location	C	R	
3225	Location, identification	C an..25	R an..25	Unloading point
1131	Code list, qualifier	C an..3	N	Not used
3055	Responsible authority for code maintenance, coded	C an..3	N	Not used
3224	Location	C an..70	N	Not used
C519	Related location 1, identification	C	N	
3223	Associated place/location 1, identification	C an..25	N	Not used
1131	Code list, Qualifier	C an..3	N	Not used
3055	Responsible authority for code maintenance, coded	C an..3	N	Not used
3222	Associated place/location 1	C an..70	N	Not used
C553	Related place 2, identification	C	N	
3233	Associated place/location 2, identification	C an..25	N	Not used
1131	Code list, Qualifier	C an..3	N	Not used
3055	Responsible authority for code maintenance, coded	C an..3	N	Not used
3232	Associated place/location 2	C an..70	N	Not used
5479	Assignment, coded	C an..3	N	Not used

Comment:

Example:

LOC+11+WE01'

Bez = Segment/Group Identifier; Nr = Consecutive segment number in the guide; MaxWdh = Maximum repetition of segments/groups;
 St = Status: M=Mandatory, C=Conditional, R=Required, O=Optional, D=Depending on/Dependent, A=Advised,
 N=Not used

Segments

Counter	Nr	Bez	St	MaxWdh	Level	Name
0190		SG6	R	9999	1	Delivery schedule
0370		SG12	R	9999	2	Detailed information
0450	13	LOC	O	1	3	Point of use

Standard			Implementation	
Bez	Name	St Format	St Format	Application / Remark
LOC				
3227	Location, Qualifier	M an..3	M an..3	159 Point of use
C517	Location	C	R	
3225	Location, identification	C an..25	R an..25	Point of use
1131	Code list, Qualifier	C an..3	N	Not used
3055	Responsible authority for code maintenance, coded	C an..3	N	Not used
3224	Location	C an..70	N	Not used
C519	Related location 1, identification	C	N	
3223	Associated place/location 1, identification	C an..25	N	Not used
1131	Code list, Qualifier	C an..3	N	Not used
3055	Responsible authority for code maintenance, coded	C an..3	N	Not used
3222	Associated place/location 1	C an..70	N	Not used
C553	Related place 2, identification	C	N	
3233	Associated place/location 2, identification	C an..25	N	Not used
1131	Codeliste, Qualifier	C an..3	N	Not used
3055	Responsible authority for code maintenance, coded	C an..3	N	Not used
3232	Associated place/location 2	C an..70	N	Not used
5479	Assignment, coded	C an..3	N	Not used

Comment:

Example:

LOC+159+L01H'

Bez = Segment/Group Identifier; Nr = Consecutive segment number in the guide; MaxWdh = Maximum repetition of segments/groups;
 St = Status: M=Mandatory, C=Conditional, R=Required, O=Optional, D=Depending on/Dependent, A=Advised,
 N=Not used

Segments

Counter	Nr	Bez	St	MaxWdh	Level	Name
0190		SG6	R	9999	1	Delivery schedule
0370		SG12	R	9999	2	Detailed information
0450	14	LOC	O	1	3	Plant

Standard			Implementation	
Bez	Name	St Format	St Format	Application / Remark
LOC				
3227	Location, Qualifier	M an..3	M an..3	19 Plant
C517	Location	C	R	
3225	Location, identification	C an..25	R an..25	Plant
1131	Code list, Qualifier	C an..3	N	Not used
3055	Authority responsible for the Code maintenance, coded	C an..3	N	Not used
3224	Location	C an..70	N	Not used
C519	Related location 1, Identification	C	N	
3223	Associated place/location 1, Identification	C an..25	N	Not used
1131	Code list, Qualifier	C an..3	N	Not used
3055	Authority responsible for the Code maintenance, coded	C an..3	N	Not used
3222	Associated place/location 1	C an..70	N	Not used
C553	Related location 2, Identification	C	N	
3233	Associated place/location 2, Identification	C an..25	N	Not used
1131	Code list, Qualifier	C an..3	N	Not used
3055	Authority responsible for the Code maintenance, coded	C an..3	N	Not used
3232	Associated place/location 2	C an..70	N	Not used
5479	Assignment, coded	C an..3	N	Not used

Comment:

Example:

LOC+19+WPF'

Bez = Segment/Group Identifier; Nr = Consecutive segment number in the guide; MaxWdh = Maximum repetition of segments/groups;
 St = Status: M=Mandatory, C=Conditional, R=Required, O=Optional, D=Depending on/Dependent, A=Advised,
 N=Not used

Segments

Counter	Nr	Bez	St	MaxWdh	Level	Name
0190		SG6	R	9999	1	Delivery schedule
0370		SG12	R	9999	2	Detailed information
0480		SG13	R	1	3	Order number
0490	15	RFF	M	1	3	Reference document

Standard			Implementation	
Bez	Name	St Format	St Format	Application / Remark
RFF				
C506	Reference	M	M	
1153	Reference, Qualifier	M an..3	M an..3	ON Order number (purchasing)
1154	Reference number	C an..35	R an..35	Order number
1156	Line number	C an..6	O an..6	Position number
4000	Reference version number	C an..35	N	Not used

Comment:

Example:

RFF+ON:5500000000:00010'

Bez = Segment/Group Identifier; Nr = Consecutive segment number in the guide; MaxWdh = Maximum repetition of segments/groups;
 St = Status: M=Mandatory, C=Conditional, R=Required, O=Optional, D=Depending on/Dependent, A=Advised,
 N=Not used

Segments

Counter	Nr	Bez	St	MaxWdh	Level	Name
0190		SG6	R	9999	1	Delivery schedule
0370		SG12	R	9999	2	Detailed information
0480		SG13	R	1	3	Delivery schedule number new
0490	16	RFF	M	1	3	Reference data

Standard			Implementation	
Bez	Name	St Format	St Format	Application / Remark
RFF				
C506	Reference	M	M	
1153	Reference, Qualifier	M an..3	M an..3	AAN Delivery call-off/plan number
1154	Reference number	C an..35	R an..35	new call-off number
1156	Line number	C an..6	N	Not used
4000	Reference version number	C an..35	N	Not used

Comment:

Example:

RFF+AAN: 2345 '

Bez = Segment/Group Identifier; Nr = Consecutive segment number in the guide; MaxWdh = Maximum repetition of segments/groups;
 St = Status: M=Mandatory, C=Conditional, R=Required, O=Optional, D=Depending on/Dependent, A=Advised,
 N=Not used

Segments

Counter	Nr	Bez	St	MaxWdh	Level	Name
0190		SG6	R	9999	1	Delivery schedule
0370		SG12	R	9999	2	Detailed information
0480		SG13	R	1	3	Delivery schedule number new
0500	17	DTM	O	1	4	Delivery schedule date

		Standard	Implementation	
Bez	Name	St Format	St Format	Application / Remark
DTM				
C507	Date/time/period	M	M	
2005	Date/time/period, Qualifier	M an..3	M an..3	137 Document/message date/time
2380	Date/time/period	C an..35	R an..35	Delivery schedule date
2379	Date/time/period, Format qualifier	C an..3	R an..3	102 YYYYMMDD

Comment:

Example:

DTM+137:20081130:102'

Bez = Segment/Group Identifier; Nr = Consecutive segment number in the guide; MaxWdh = Maximum repetition of segments/groups;
St = Status: M=Mandatory, C=Conditional, R=Required, O=Optional, D=Depending on/Dependent, A=Advised,
N=Not used

Segments

Counter	Nr	Bez	St	MaxWdh	Level	Name
0190		SG6	R	9999	1	Delivery schedule
0370		SG12	R	9999	2	Detailed information
0480		SG13	O	1	3	Delivery schedule number old
0490	18	RFF	M	1	3	Reference data

Standard			Implementation	
Bez	Name	St Format	St Format	Application / Remark
RFF				
C506	Reference	M	M	
1153	Reference, Qualifier	M an..3	M an..3	AIF Delivery call-off/plan number old
1154	Reference number	C an..35	R an..35	old call-off number
1156	Line number	C an..6	N	Not used
4000	Reference version number	C an..35	N	Not used

Comment:

Example:

RFF+AIF:2344'

Bez = Segment/Group Identifier; Nr = Consecutive segment number in the guide; MaxWdh = Maximum repetition of segments/groups;
 St = Status: M=Mandatory, C=Conditional, R=Required, O=Optional, D=Depending on/Dependent, A=Advised,
 N=Not used

Segments

Counter	Nr	Bez	St	MaxWdh	Level	Name
0190		SG6	R	9999	1	Delivery schedule
0370		SG12	R	9999	2	Detailed information
0540		SG15	O	1	3	Delivery note quantity
0550	19	QTY	M	1	3	Delivery note quantity

Standard			Implementation	
Bez	Name	St Format	St Format	Application / Remark
QTY				
C186	Quantities	M	M	
6063	Quantity, Qualifier	M an..3	M an..3	48 Delivery note quantity
6060	Quantity	M n..15	M n..15	Delivery note quantity
6411	Unit of measurement, qualifier	C an..3	R an..3	PCE piece In addition to PCE, other units of measurement are also permissible.

Comment:

Example:

QTY+48:6000:PCE'

Bez = Segment/Group Identifier; Nr = Consecutive segment number in the guide; MaxWdh = Maximum repetition of segments/groups;
St = Status: M=Mandatory, C=Conditional, R=Required, O=Optional, D=Depending on/Dependent, A=Advised,
N=Not used

Segments

Counter	Nr	Bez	St	MaxWdh	Level	Name
0190		SG6	R	9999	1	Delivery schedule
0370		SG12	R	9999	2	Detailed information
0540		SG15	O	1	3	Delivery note quantity
0570		SG16	O	1	4	Delivery note number
0580	20	RFF	M	1	4	Delivery note number

Standard			Implementation	
Bez	Name	St Format	St Format	Application / Remark
RFF				
C506	Reference	M	M	
1153	Reference, Qualifier	M an..3	M an..3	SI Delivery note number
1154	Reference number	C an..35	R an..35	Delivery note number
1156	Line number	C an..6	N	Not used
4000	Reference version number	C an..35	N	Not used

Comment:

Example:

RFF+SI:8984374'

Bez = Segment/Group Identifier; Nr = Consecutive segment number in the guide; MaxWdh = Maximum repetition of segments/groups;
 St = Status: M=Mandatory, C=Conditional, R=Required, O=Optional, D=Depending on/Dependent, A=Advised,
 N=Not used

Segments

Counter	Nr	Bez	St	MaxWdh	Level	Name
0190		SG6	R	9999	1	Delivery schedule
0370		SG12	R	9999	2	Detailed information
0540		SG15	O	1	3	Delivery note quantity
0570		SG16	O	1	4	Delivery note number
0590	21	DTM	O	1	5	Delivery note date

		Standard	Implementation	
Bez	Name	St Format	St Format	Application / Remark
DTM				
C507	Date/time/period	M	M	
2005	Date/time/period, Qualifier	M an..3	M an..3	171 Reference date/time
2380	Date/time/period	C an..35	R an..35	Delivery note date
2379	Date/time/period, Format qualifier	C an..3	R an..3	102 YYYYMMDD

Comment:

Example:

DTM+171:20201209:102'

Bez = Segment/Group Identifier; Nr = Consecutive segment number in the guide; MaxWdh = Maximum repetition of segments/groups;
St = Status: M=Mandatory, C=Conditional, R=Required, O=Optional, D=Depending on/Dependent, A=Advised,
N=Not used

Segments

Counter	Nr	Bez	St	MaxWdh	Level	Name
	0190	SG6	R	9999	1	Delivery schedule
	0370	SG12	R	9999	2	Detailed information
	0540	SG15	O	1	3	cumulative quantity received
	0550	QTY	M	1	3	cumulative quantity received

Standard			Implementation	
Bez	Name	St Format	St Format	Application / Remark
QTY				
C186	Quantities	M	M	
6063	Quantity, Qualifier	M an..3	M an..3	70 cumulative quantity received
6060	Quantity	M n..15	M n..15	Cumulative quantity of all deliveries received by the buyer (from zero position)
6411	Unit of measurement, qualifier	C an..3	R an..3	PCE piece In addition to PCE, other units of measurement are also permissible.

Comment:

Example:

QTY+70:20000:PCE'

Bez = Segment/Group Identifier; Nr = Consecutive segment number in the guide; MaxWdh = Maximum repetition of segments/groups;
St = Status: M=Mandatory, C=Conditional, R=Required, O=Optional, D=Depending on/Dependent, A=Advised,
N=Not used

Segments

Counter	Nr	Bez	St	MaxWdh	Level	Name
0190		SG6	R	9999	1	Delivery schedule
0370		SG12	R	9999	2	Detailed information
0540		SG15	O	1	3	cumulative quantity received
0560	23	DTM	O	1	4	Start date of cumulated quantity received

		Standard	Implementation	
Bez	Name	St Format	St Format	Application / Remark
DTM				
C507	Date/time/period	M	M	
2005	Date/time/period, Qualifier	M an..3	M an..3	51 Start date of cumulated quantity received
2380	Date/time/period	C an..35	R an..35	Start date of cumulated quantity received
2379	Date/time/period, Format qualifier	C an..3	R an..3	102 YYYYMMDD

Comment:

Example:

DTM+51:20201209:102'

Bez = Segment/Group Identifier; Nr = Consecutive segment number in the guide; MaxWdh = Maximum repetition of segments/groups;
St = Status: M=Mandatory, C=Conditional, R=Required, O=Optional, D=Depending on/Dependent, A=Advised,
N=Not used

Segments

Counter	Nr	Bez	St	MaxWdh	Level	Name
0190		SG6	R	9999	1	Delivery schedule
0370		SG12	R	9999	2	Detailed information
0540		SG15	O	1	3	cumulative ordered quantity
0550	24	QTY	M	1	3	cumulative ordered quantity

Standard			Implementation	
Bez	Name	St Format	St Format	Application / Remark
QTY				
C186	Quantities	M	M	
6063	Quantity, Qualifier	M an..3	M an..3	72 cumulative ordered quantity
6060	Quantity	M n..15	M n..15	cumulative ordered quantity
6411	Unit of measurement, qualifier	C an..3	R an..3	PCE piece In addition to PCE, other units of measurement are also permissible.

Comment:

Example:

QTY+72:20000:PCE'

Bez = Segment/Group Identifier; Nr = Consecutive segment number in the guide; MaxWdh = Maximum repetition of segments/groups;
St = Status: M=Mandatory, C=Conditional, R=Required, O=Optional, D=Depending on/Dependent, A=Advised,
N=Not used

Segments

Counter	Nr	Bez	St	MaxWdh	Level	Name
0190		SG6	R	9999	1	Delivery schedule
0370		SG12	R	9999	2	Detailed information
0540		SG15	O	1	3	cumulative ordered quantity
0560	25	DTM	O	1	4	Start date of cumulative ordered quantity

		Standard	Implementation	
Bez	Name	St Format	St Format	Application / Remark
DTM				
C507	Date/time/period	M	M	
2005	Date/time/period, Qualifier	M an..3	M an..3	51 Start date of cumulative ordered quantity
2380	Date/time/period	C an..35	R an..35	Start date of cumulative ordered quantity
2379	Date/time/period, Format qualifier	C an..3	R an..3	102 YYYYMMDD

Comment:

Example:

DTM+51:20201209:102'

Bez = Segment/Group Identifier; Nr = Consecutive segment number in the guide; MaxWdh = Maximum repetition of segments/groups;
St = Status: M=Mandatory, C=Conditional, R=Required, O=Optional, D=Depending on/Dependent, A=Advised,
N=Not used

Segments

Counter	Nr	Bez	St	MaxWdh	Level	Name
	0190	SG6	R	9999	1	Delivery schedule
	0370	SG12	R	9999	2	Detailed information
	0540	SG15	O	1	3	Backlog quantity
	0550	QTY	M	1	3	Backlog quantity

Standard			Implementation	
Bez	Name	St Format	St Format	Application / Remark
QTY				
C186	Quantities	M	M	
6063	Quantity, Qualifier	M an..3	M an..3	83 Backlog quantity
6060	Quantity	M n..15	M n..15	Backlog quantity
6411	Unit of measurement, qualifier	C an..3	R an..3	PCE piece In addition to PCE, other units of measurement are also permissible.

Comment:

Example:

QTY+83:250:PCE'

Bez = Segment/Group Identifier; Nr = Consecutive segment number in the guide; MaxWdh = Maximum repetition of segments/groups;
St = Status: M=Mandatory, C=Conditional, R=Required, O=Optional, D=Depending on/Dependent, A=Advised,
N=Not used

Segments

Counter	Nr	Bez	St	MaxWdh	Level	Name
0190		SG6	R	9999	1	Delivery schedule
0370		SG12	R	9999	2	Detailed information
0600		SG17	O	999	3	Dates of the day
0610	27	SCC	M	1	3	Scheduling conditions

Standard			Implementation	
Bez	Name	St Format	St Format	Application / Remark
SCC				
4017	Delivery schedule status indicator, coded	M an..3	M an..3	1 Fixed (Firm)
4493	Delivery request, coded	C an..3	N	Not used
C329	Time Grid	C	R	
2013	Frequency, coded	C an..3	R an..3	Frequency, coded Y Daily
2015	Delivery grid, coded	C an..3	N	Not used
2017	Delivery time grid, coded	C an..3	N	Not used

Comment:

Example:

SCC+1++Y'

Bez = Segment/Group Identifier; Nr = Consecutive segment number in the guide; MaxWdh = Maximum repetition of segments/groups;
St = Status: M=Mandatory, C=Conditional, R=Required, O=Optional, D=Depending on/Dependent, A=Advised,
N=Not used

Segments

Counter	Nr	Bez	St	MaxWdh	Level	Name
	0190	SG6	R	9999	1	Delivery schedule
	0370	SG12	R	9999	2	Detailed information
	0600	SG17	O	999	3	Dates of the day
	0620	SG18	R	999	4	Quantity - Date
	0630	QTY	M	1	4	Quantity

Standard			Implementation	
Bez	Name	St Format	St Format	Application / Remark
QTY				
C186	Quantities	M	M	
6063	Quantity, Qualifier	M an..3	M an..3	1 Call-off quantity
6060	Quantity	M n..15	M n..15	quantity to be delivered
6411	Unit of measurement, qualifier	C an..3	R an..3	PCE piece In addition to PCE, other units of measurement are also permissible.

Comment:

Example:

QTY+1:20000:PCE'

Bez = Segment/Group Identifier; Nr = Consecutive segment number in the guide; MaxWdh = Maximum repetition of segments/groups;
St = Status: M=Mandatory, C=Conditional, R=Required, O=Optional, D=Depending on/Dependent, A=Advised,
N=Not used

Segments

Counter	Nr	Bez	St	MaxWdh	Level	Name
0190		SG6	R	9999	1	Delivery schedule
0370		SG12	R	9999	2	Detailed information
0600		SG17	O	999	3	Dates of the day
0620		SG18	R	999	4	Quantity - Date
0640	29	DTM	R	1	5	Delivery date

		Standard	Implementation	
Bez	Name	St Format	St Format	Application / Remark
DTM				
C507	Date/time/period	M	M	
2005	Date/time/period, Qualifier	M an..3	M an..3	2 Delivery date (date/time), desired
2380	Date/time/period	C an..35	R an..35	Delivery date
2379	Date/time/period, Format qualifier	C an..3	R an..3	102 YYYYMMDD

Comment:

Example:

DTM+2:20201205:102'

Bez = Segment/Group Identifier; Nr = Consecutive segment number in the guide; MaxWdh = Maximum repetition of segments/groups;
St = Status: M=Mandatory, C=Conditional, R=Required, O=Optional, D=Depending on/Dependent, A=Advised,
N=Not used

Segments

Counter	Nr	Bez	St	MaxWdh	Level	Name
0190		SG6	R	9999	1	Delivery schedule
0370		SG12	R	9999	2	Detailed information
0600		SG17	O	999	3	Production and material release
0610	30	SCC	M	1	3	Production and material release

Standard			Implementation	
Bez	Name	St Format	St Format	Application / Remark
SCC				
4017	Delivery schedule status indicator, coded	M an..3	M an..3	2 Production and material release
4493	Delivery request, coded	C an..3	N	Not used
C329	Time Grid	C	N	Not used
2013	Frequency, coded	C an..3	N	Not used
2015	Delivery grid, coded	C an..3	N	Not used
2017	Delivery time grid, coded	C an..3	N	Not used

Comment:

Example:

SCC+2'

Bez = Segment/Group Identifier; Nr = Consecutive segment number in the guide; MaxWdh = Maximum repetition of segments/groups;
 St = Status: M=Mandatory, C=Conditional, R=Required, O=Optional, D=Depending on/Dependent, A=Advised,
 N=Not used

Segments

Counter	Nr	Bez	St	MaxWdh	Level	Name
	0190	SG6	R	9999	1	Delivery schedule
	0370	SG12	R	9999	2	Detailed information
	0600	SG17	O	999	3	Production and material release
	0620	SG18	R	999	4	Quantity to be delivered
	0630	QTY	M	1	4	Quantity

Standard			Implementation	
Bez	Name	St Format	St Format	Application / Remark
QTY				
C186	Quantities	M	M	
6063	Quantity, Qualifier	M an..3	M an..3	66 Fixed value
6060	Quantity	M n..15	M n..15	Quantity to be delivered
6411	Unit of measurement, qualifier	C an..3	R an..3	PCE piece In addition to PCE, other units of measurement are also permissible.

Comment:

Example:

QTY+66:0:PCE'

Bez = Segment/Group Identifier; Nr = Consecutive segment number in the guide; MaxWdh = Maximum repetition of segments/groups;
St = Status: M=Mandatory, C=Conditional, R=Required, O=Optional, D=Depending on/Dependent, A=Advised,
N=Not used

Segments

Counter	Nr	Bez	St	MaxWdh	Level	Name
0190		SG6	R	9999	1	Delivery schedule
0370		SG12	R	9999	2	Detailed information
0600		SG17	O	999	3	Production and material release
0620		SG18	R	999	4	Quantity to be delivered
0640	32	DTM	R	1	5	Production release (date/time)

		Standard	Implementation	
Bez	Name	St Format	St Format	Application / Remark
DTM				
C507	Date/time/period	M	M	
2005	Date/time/period, Qualifier	M an..3	M an..3	206 Production release (date/time)
2380	Date/time/period	C an..35	R an..35	Production release (date/time)
2379	Date/time/period, Format qualifier	C an..3	R an..3	102 YYYYMMDD

Comment:

Example:

DTM+206:20201205:102'

Bez = Segment/Group Identifier; Nr = Consecutive segment number in the guide; MaxWdh = Maximum repetition of segments/groups;
St = Status: M=Mandatory, C=Conditional, R=Required, O=Optional, D=Depending on/Dependent, A=Advised,
N=Not used

Segments

Counter	Nr	Bez	St	MaxWdh	Level	Name
0190		SG6	R	9999	1	Delivery schedule
0370		SG12	R	9999	2	Detailed information
0600		SG17	O	999	3	Material release
0610	33	SCC	M	1	3	Material release

Standard			Implementation	
Bez	Name	St Format	St Format	Application / Remark
SCC				
4017	Delivery schedule status indicator, coded	M an..3	M an..3	3 Material release
4493	Delivery request, coded	C an..3	N	Not used
C329	Time Grid	C	N	Not used
2013	Frequency, coded	C an..3	N	Not used
2015	Delivery grid, coded	C an..3	N	Not used
2017	Delivery time grid, coded	C an..3	N	Not used

Comment:

Example:

SCC+3'

Bez = Segment/Group Identifier; Nr = Consecutive segment number in the guide; MaxWdh = Maximum repetition of segments/groups;
 St = Status: M=Mandatory, C=Conditional, R=Required, O=Optional, D=Depending on/Dependent, A=Advised,
 N=Not used

Segments

Counter	Nr	Bez	St	MaxWdh	Level	Name
	0190	SG6	R	9999	1	Delivery schedule
	0370	SG12	R	9999	2	Detailed information
	0600	SG17	O	999	3	Material release
	0620	SG18	R	999	4	Quantity to be delivered
	0630	QTY	M	1	4	Quantity

Standard			Implementation	
Bez	Name	St Format	St Format	Application / Remark
QTY				
C186	Quantities	M	M	
6063	Quantity, Qualifier	M an..3	M an..3	66 Fixed value
6060	Quantity	M n..15	M n..15	Quantity to be delivered
6411	Unit of measurement, qualifier	C an..3	R an..3	PCE piece In addition to PCE, other units of measurement are also permissible.

Comment:

Example:

QTY+66:0:PCE'

Bez = Segment/Group Identifier; Nr = Consecutive segment number in the guide; MaxWdh = Maximum repetition of segments/groups;
St = Status: M=Mandatory, C=Conditional, R=Required, O=Optional, D=Depending on/Dependent, A=Advised,
N=Not used

Segments

Counter	Nr	Bez	St	MaxWdh	Level	Name
0190		SG6	R	9999	1	Delivery schedule
0370		SG12	R	9999	2	Detailed information
0600		SG17	O	999	3	Material release
0620		SG18	R	999	4	Quantity to be delivered
0640	35	DTM	R	1	5	Material release (date/time)

		Standard	Implementation	
Bez	Name	St Format	St Format	Application / Remark
DTM				
C507	Date/time/period	M	M	
2005	Date/time/period, Qualifier	M an..3	M an..3	206 Material release (date/time),
2380	Date/time/period	C an..35	R an..35	Material release (date/time)
2379	Date/time/period, Format qualifier	C an..3	R an..3	102 YYYYMMDD

Comment:

Example:

DTM+206:20201205:102'

Bez = Segment/Group Identifier; Nr = Consecutive segment number in the guide; MaxWdh = Maximum repetition of segments/groups;
St = Status: M=Mandatory, C=Conditional, R=Required, O=Optional, D=Depending on/Dependent, A=Advised,
N=Not used

Segments

Counter	Nr	Bez	St	MaxWdh	Level	Name
0190		SG6	R	9999	1	Delivery schedule
0370		SG12	R	9999	2	Detailed information
0600		SG17	O	999	3	Flexible dates
0610	36	SCC	M	1	3	Flexible dates

Standard			Implementation	
Bez	Name	St Format	St Format	Application / Remark
SCC				
4017	Delivery schedule status indicator, coded	M an..3	M an..3	4 Delivery Schedule Line (Preview)
4493	Delivery request, coded	C an..3	N	Not used
C329	Time Grid	C	R	
2013	Frequency, coded	C an..3	C an..3	F Frequence, coded F Flexible time interval (from date X to date Y)
2015	Delivery grid, coded	C an..3	N	Not used
2017	Delivery time grid, coded	C an..3	N	Not used

Comment:

Example:

SCC+4++F'

Bez = Segment/Group Identifier; Nr = Consecutive segment number in the guide; MaxWdh = Maximum repetition of segments/groups;
St = Status: M=Mandatory, C=Conditional, R=Required, O=Optional, D=Depending on/Dependent, A=Advised,
N=Not used

Segments

Counter	Nr	Bez	St	MaxWdh	Level	Name
0190		SG6	R	9999	1	Delivery schedule
0370		SG12	R	9999	2	Detailed information
0600		SG17	O	999	3	Flexible dates
0620		SG18	R	999	4	Delivery quantity
0630	37	QTY	M	1	4	Delivery quantity

Standard			Implementation	
Bez	Name	St Format	St Format	Application / Remark
QTY				
C186	Quantities	M	M	
6063	Quantity, Qualifier	M an..3	M an..3	1 Delivery quantity
6060	Quantity	M n..15	M n..15	Delivery quantity
6411	Unit of measurement, qualifier	C an..3	R an..3	PCE piece In addition to PCE, other units of measurement are also permissible.

Comment:

Example:

QTY+1:60000:PCE'

Bez = Segment/Group Identifier; Nr = Consecutive segment number in the guide; MaxWdh = Maximum repetition of segments/groups;
St = Status: M=Mandatory, C=Conditional, R=Required, O=Optional, D=Depending on/Dependent, A=Advised,
N=Not used

Segments

Counter	Nr	Bez	St	MaxWdh	Level	Name
0190		SG6	R	9999	1	Delivery schedule
0370		SG12	R	9999	2	Detailed information
0600		SG17	O	999	3	Flexible dates
0620		SG18	R	999	4	Delivery quantity
0640	38	DTM	R	1	5	Date from

		Standard	Implementation	
Bez	Name	St Format	St Format	Application / Remark
DTM				
C507	Date/time/period	M	M	
2005	Date/time/period, Qualifier	M an..3	M an..3	158 Date from
2380	Date/time/period	C an..35	R an..35	Date from
2379	Date/time/period, Format qualifier	C an..3	R an..3	102 YYYYMMDD

Comment:

Example:

DTM+158:20201210:102'

Bez = Segment/Group Identifier; Nr = Consecutive segment number in the guide; MaxWdh = Maximum repetition of segments/groups;
St = Status: M=Mandatory, C=Conditional, R=Required, O=Optional, D=Depending on/Dependent, A=Advised,
N=Not used

Segments

Counter	Nr	Bez	St	MaxWdh	Level	Name
0190		SG6	R	9999	1	Delivery schedule
0370		SG12	R	9999	2	Detailed information
0600		SG17	O	999	3	Flexible dates
0620		SG18	R	999	4	Delivery quantity
0640	39	DTM	R	1	5	Date to

		Standard	Implementation	
Bez	Name	St Format	St Format	Application / Remark
DTM				
C507	Date/time/period	M	M	
2005	Date/time/period, Qualifier	M an..3	M an..3	159 Date to
2380	Date/time/period	C an..35	R an..35	Date to
2379	Date/time/period, Format qualifier	C an..3	R an..3	102 YYYYMMDD

Comment:

Example:

DTM+159:20201217:102'

Bez = Segment/Group Identifier; Nr = Consecutive segment number in the guide; MaxWdh = Maximum repetition of segments/groups;
St = Status: M=Mandatory, C=Conditional, R=Required, O=Optional, D=Depending on/Dependent, A=Advised,
N=Not used

Segments

Counter	Nr	Bez	St	MaxWdh	Level	Name
1030	40	UNT	M	1	0	Message end segment

Standard			Implementation	
Bez	Name	St Format	St Format	Application / Remark
UNT				
0074	Number of segments in a Message	M n..6	M n..6	Number of segments in the message (UNH - UNT)
0062	Message reference number	M an..14	M an..14	Message control number (see UNH)

Comment:

Example:
UNT+44+1'

Bez = Segment/Group Identifier; Nr = Consecutive segment number in the guide; MaxWdh = Maximum repetition of segments/groups;
St = Status: M=Mandatory, C=Conditional, R=Required, O=Optional, D=Depending on/Dependent, A=Advised,
N=Not used

Segments

Counter	Nr	Bez	St	MaxWdh	Level	Name
0000	41	UNZ	M	1	0	User data end segment

Standard			Implementation	
Bez	Name	St Format	St Format	Application / Remark
UNZ				
0036	Data exchange counter	M n..6	M n..6	Specifies the number of messages in the transmission file.
0020	Data exchange reference	M an..14	M an..14	Repetition of the data exchange reference from the segment UNB_0020.

Comment:

Example:

UNZ+1+12345'

Bez = Segment/Group Identifier; Nr = Consecutive segment number in the guide; MaxWdh = Maximum repetition of segments/groups;
 St = Status: M=Mandatory, C=Conditional, R=Required, O=Optional, D=Depending on/Dependent, A=Advised,
 N=Not used

Example message

Example	Segment name
UNA:+.? '	Separator default
UNB+UNOC:3+SENDER+RECEIVER+200912:1515+12345 ++DELFOR'	User data header segment
UNH+1+DELFOR:D:97A:UN'	Message header segment
BGM+241+220+9'	Delivery schedule number new
DTM+137:20080907:102'	Delivery schedule date
	Information about the buyer
NAD+BY+132080::91'	Customer
	Supplier
NAD+SU+12345::92'	Supplier
	Delivery schedule
GIS+37'	General indicator
	Delivery address
NAD+ST+WPF::92++VOSS Automotive GmbH+Leiersm ühle 2-6+Wipperfürth++51688+DE'	Name and address
	Detailed information
LIN+++0907009972:IN'	Part number Buyer
PIA+1+466000:SA'	Additional product identification
LOC+11+WE01'	Unloading point
LOC+159+L01H'	Point of use
LOC+19+WPF'	Plant
	Order number
RFF+ON:5500000000:00010'	Reference document
	Delivery schedule number new
RFF+AAN:2345'	Reference data
DTM+137:20081130:102'	Delivery schedule date
	Delivery schedule number old
RFF+AIF:2344'	Reference data
	Delivery note quantity
QTY+48:6000:PCE'	Delivery note quantity
	Delivery note number
RFF+SI:8984374'	Delivery note number
DTM+171:20201209:102'	Delivery note date
	Cumulative quantity received
QTY+70:20000:PCE'	Cumulative quantity received
DTM+51:20201209:102'	Start date of cumulated quantity received
	cumulative ordered quantity
QTY+72:20000:PCE'	cumulative ordered quantity
DTM+51:20201209:102'	Start date cumulated ordered quantity
	Backlog quantity
QTY+83:250:PCE'	Backlog quantity
	Dates of the day
SCC+1++Y'	Scheduling conditions

Example message

Example	Segment name
	Quantity – Date
QTY+1:20000:PCE'	Quantity
DTM+2:20201205:102'	Delivery date
	Production and material release
SCC+2'	Production and material release
	Quantity to be delivered
QTY+66:0:PCE'	Quantity
DTM+206:20201205:102'	Production release (date/time)
	Material release
SCC+3'	Material release
	Quantity to be delivered
QTY+66:0:PCE'	Quantity
DTM+206:20201205:102'	Material release (date/time)
	Flexible dates
SCC+4++F'	Flexible dates
	Delivery quantity
QTY+1:60000:PCE'	Delivery quantity
DTM+158:20201210:102'	Date from
DTM+159:20201217:102'	Date to
UNT+44+1'	Message end segment
UNZ+1+12345'	User data end segment

Change log

Date	Change	Segment and data element	
2020-09-02	New segment UNA added.	1	UNA